

4

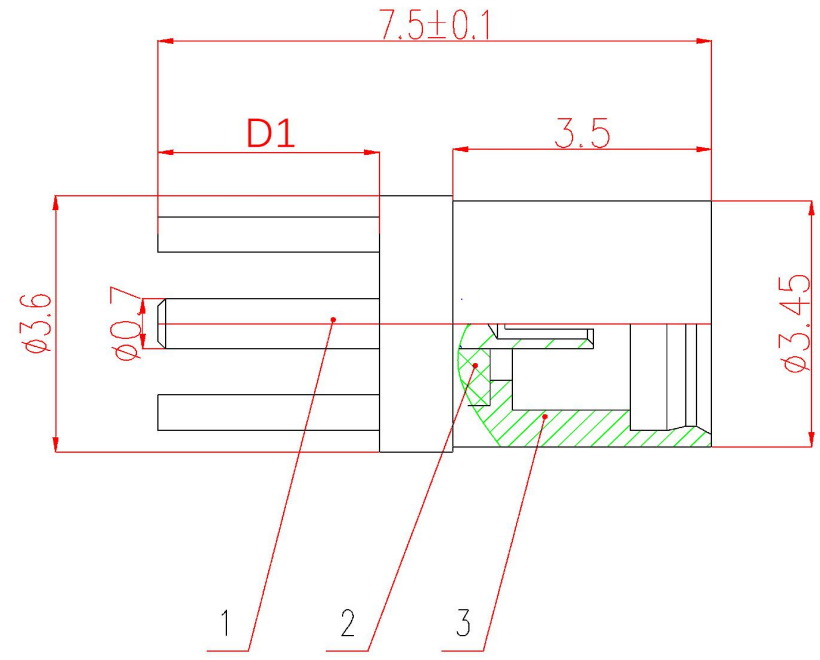
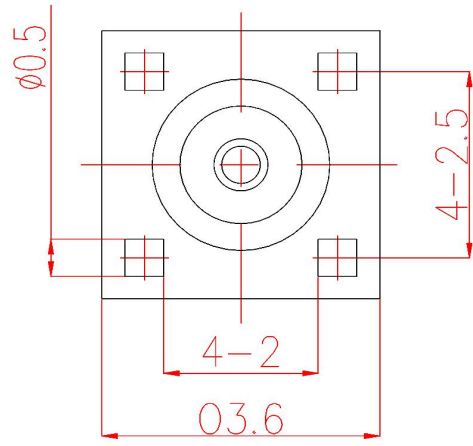
3

2

1

THIS DRAWING UNPUBLISHED.	RELEASED FOR PUBUCATION
---------------------------	-------------------------

LOC	DIST	REVISIONS					
---	---	P	LTR		DATE	DWN	APVD
			---	---	---	---	---


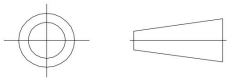


- NOTES:
- ELECTRICAL:
    - IMPEDANCE: 50Ω
    - INSULATION RESISTANCE: 5000M Ω
    - FREQUENCY RANGE: DC-6 GHz
    - DIELECTRIC WITHSTANDING VOLTAGE: 750V MAX AT SEA LEVEL
    - VSWR: ≤1.20:1
    - INSERTION LOSS: 0.25dB (MAX)

MODEL	D1	1	2	3
XQY-MMCXKE-TB	3.0mm/0.118"	BRASS	BERYLLIUM BRONZE	PTFE
XQY-MMCXKE2.5-TB	2.5mm/0.098"	BRASS	BERYLLIUM BRONZE	PTFE
Accept custom sizes and styles				

- ENVIRONMENTAL:
  - TEMPERATURE RANGE: -55° to +125°

- MATERIAL AND FINISH:
  - INNER CONDUCTOR MATERIAL: BERYLLIUM BRONZE GOLD PLATING
  - INSULATOR: PTFE
  - EXTERNAL CONDUCTOR MATERIAL: BRASS GOLD PLATING

THIS DRAWING IS A CONTROLLED DOCUMENT		21/10/2021	 Shenzhen xinqiyuan Technology Co., Ltd.		
		CHK			
DIMENSIONSMM	TOLERANCES UNLESS OTHERWISE SPECIFIED: ±0.1 Note: Dimensions (mm / [inch])	APVD	NAME MMCX Female RF Coaxial Connector Printed circuit board		
		APPLICATION SPEC	SIZE A4	CAGE CODE 01021	DRAWING NO XQY-MMCXKE-TB
		WEIGHT			

4

3

2

1